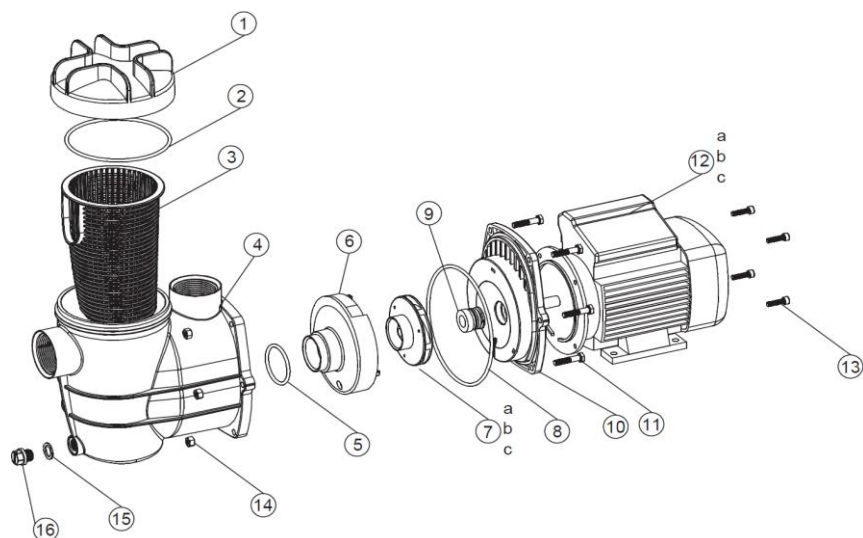


Pompe de Filtration Piscine Hors Sol 0,33cv

C-11-001653



No.	Code CPF	Référence Fournisseur	Désignation	Code Barres	Conditionnement	PU HT EUR 2020
1	C-11-203732	647251503	COUVERCLE	5020112037324	1	
2	C-11-001847	65431071	JOINT COUVERCLE	5020110018479	1	
3	C-11-001848	647251507	PANIER PREFILTRE	5020110018486	1	
4	C-11-001849	647251501	CORPS PREFILTRE	5020110018493	1	
5	C-11-001850	65431070	JOINT DIFFUSEUR	5020110018509	1	
6	C-11-001851	647251504	DIFFUSEUR	5020110018516	1	
7a						
7b	C-11-001853	647251571	TURBINE	5020110018530	1	
7c						
8	C-11-001855	65431037	JOINT CORPS	5020110018554	1	
9	C-11-001856	65028013	GARNITURE MECANIQUE	5020110018561	1	
10	C-11-001857	647251502	CORPS	5020110018578	1	
11	C-11-001858	65224004	VIS CORPS	5020110018585	6	
12a						
12b	C-11-210719	65023018	MOTEUR	5020112107195	1	
12c						
13	C-11-001861	65224025	VIS CAPOT	5020110018615	4	
14	C-11-001862	65231002	ECROU CORPS	5020110018622	6	
15	C-11-001863	65432002	JOINT PURGE D'EAU	5020110018639	1	
16	C-11-001864	88601007	ECROU PURGE D'EAU	5020110018646	1	